

# ALFRED TEVES BRAKE SYSTEMS (PTY) LTD

## TECHNICAL BULLETIN

SEPTEMBER 2024

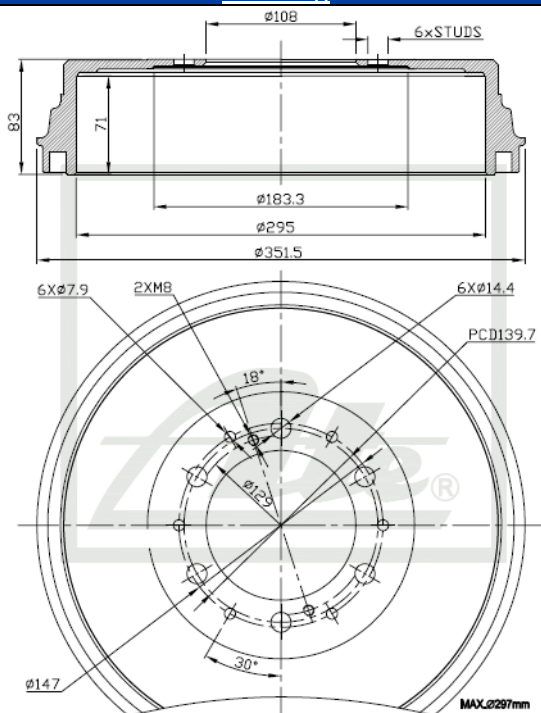
# 229.0008



(ATE and Teves are registered trademarks of Continental Teves AG & Co oHG and/or its affiliates in Frankfurt Germany and other Countries)

### NEW PART NUMBER

#### Drawing



#### Details of New Part

Brake Drum – Rear

#### Product Dimensions

Outer Diameter – 351.5mm

Inner Diameter – 295.0mm

Height – 83.0mm

PCD – 139.7mm

Spigot – 108.0mm

#### Package Dimensions

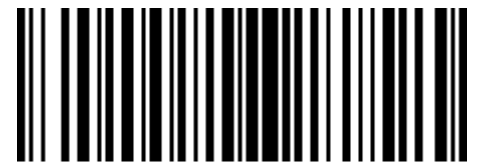
Weight – 12500g

L – 400mm

W – 370mm

H – 100mm

#### Barcode



229.0008

#### Vehicle Applications

Front Position Rear

**TOYOTA FORTUNER I** (\_N5\_, \_N6\_) [2006-15] 3.0 D-4D & 3.0 D-4D 4x4 ; FORTUNER I (\_N5\_, \_N6\_) [2006-15] 4.0 & 4.0 4x4 ; FORTUNER II GD-6 (\_N15\_, \_N16\_) [2015-] 2.4 D & 2.4 D 4X4

**TOYOTA FORTUNER II** (\_N15\_, \_N16\_) [2015-] 2.7 & 2.7 4x4 ; FORTUNER II GD-6 (\_N15\_, \_N16\_) [2015-] 2.8 D & 2.8 D 4x4

**TOYOTA HILUX VII** (\_N1\_, \_N2\_, \_N3\_) [2004-15] 2.5 D 4X4 ; HILUX VII (\_N1\_, \_N2\_, \_N3\_) [2004-15] 2.5 D-4D & 2.5 D-4D 4x4 ; HILUX VII (\_N1\_, \_N2\_, \_N3\_) [2004-15] 3.0 D & 3.0 D 4x4 ; HILUX VII (\_N1\_, \_N2\_, \_N3\_) [2004-15] 3.0 D-4D 4X4 ; HILUX VII (\_N1\_, \_N2\_, \_N3\_) [2004-15] 3.0 Tdi 4x4 ; HILUX VII (\_N1\_, \_N2\_, \_N3\_) [2004-15] 4.0 & 4.0 4x4

**TOYOTA HILUX VIII** GD-6 (\_N1\_) [2015-] 2.4 D & 2.4 D 4x4 ; HILUX VIII (\_N1\_) [2015-] 2.5 D & 2.5 D 4x4 ; HILUX VIII (\_N1\_) [2015-] 3.0 D 4X4 ; HILUX VIII (\_N1\_) [2015-] 4.0 4X4 ; HILUX VIII GD-6 (\_N1\_) [2015-] 2.4 D ; HILUX VIII GD-6 (\_N1\_) [2015-] 2.8 D & 2.8 D 4x4



**CALL NOW TO ORDER YOUR STOCK!!!**

(011) 898 1800

Picture(s) of the vehicle(s) that this part is suitable for



www.ate.co.za

"Single Minded about YOUR Safety"